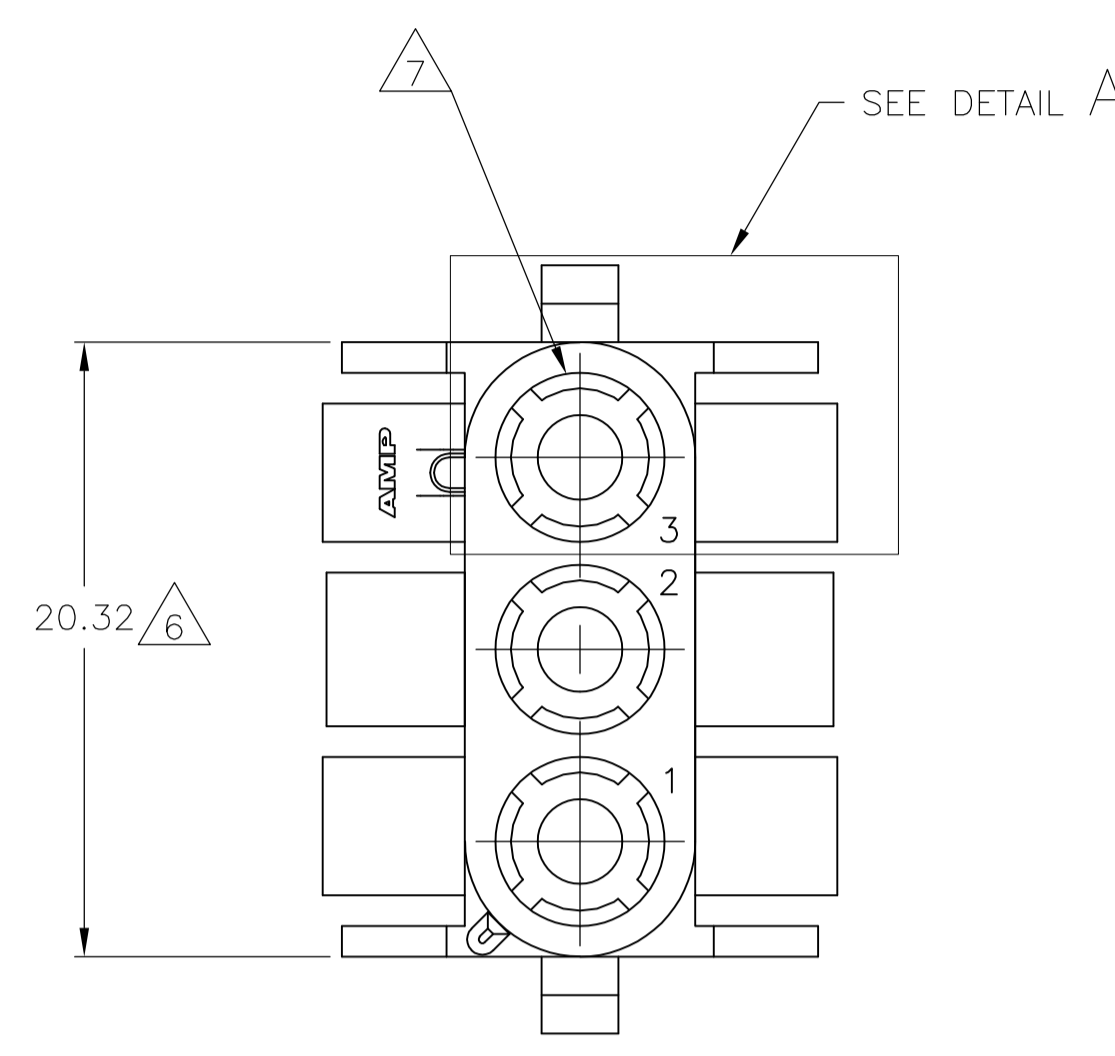
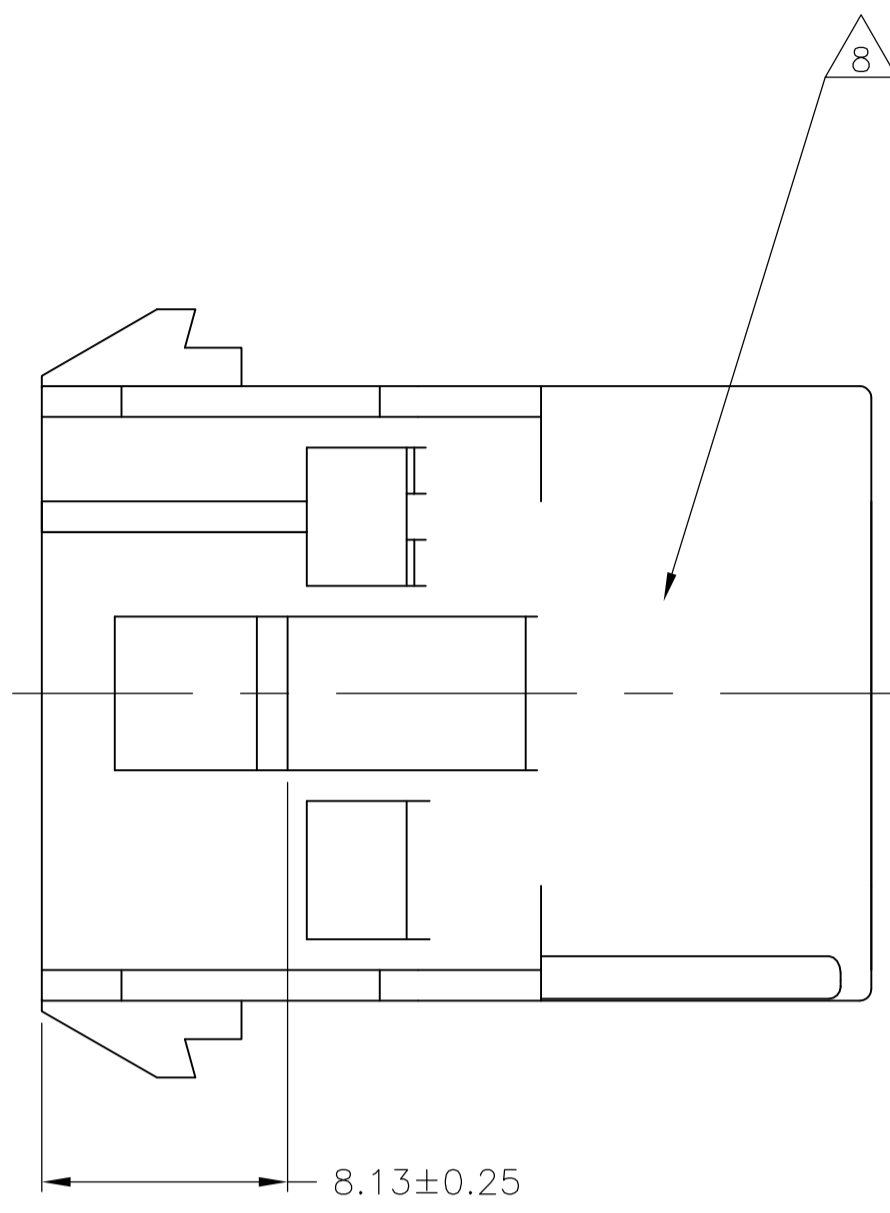
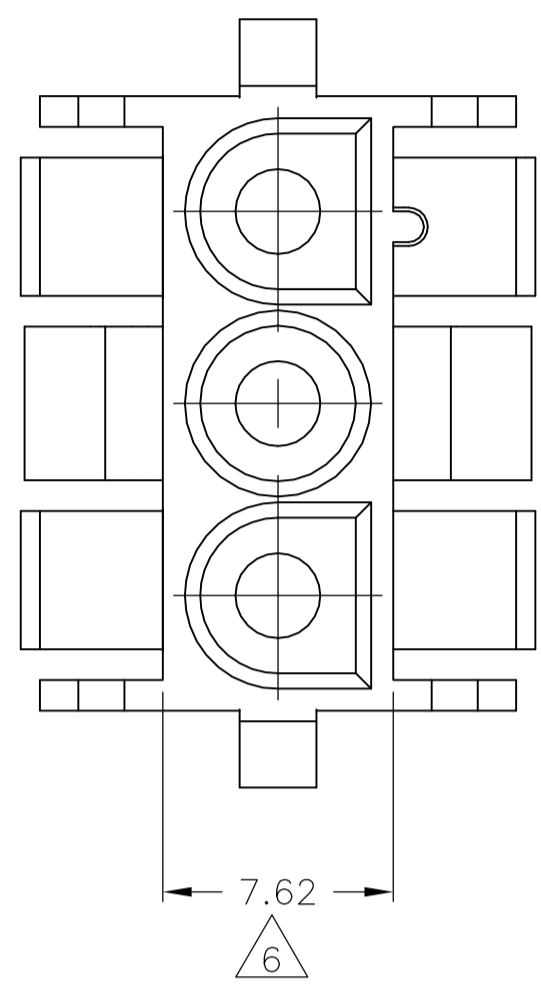
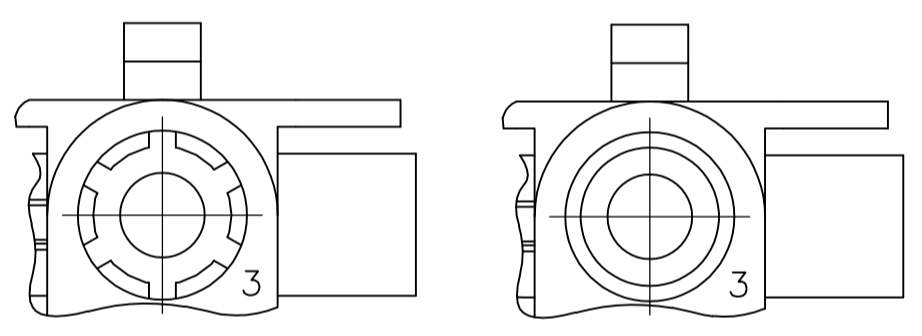


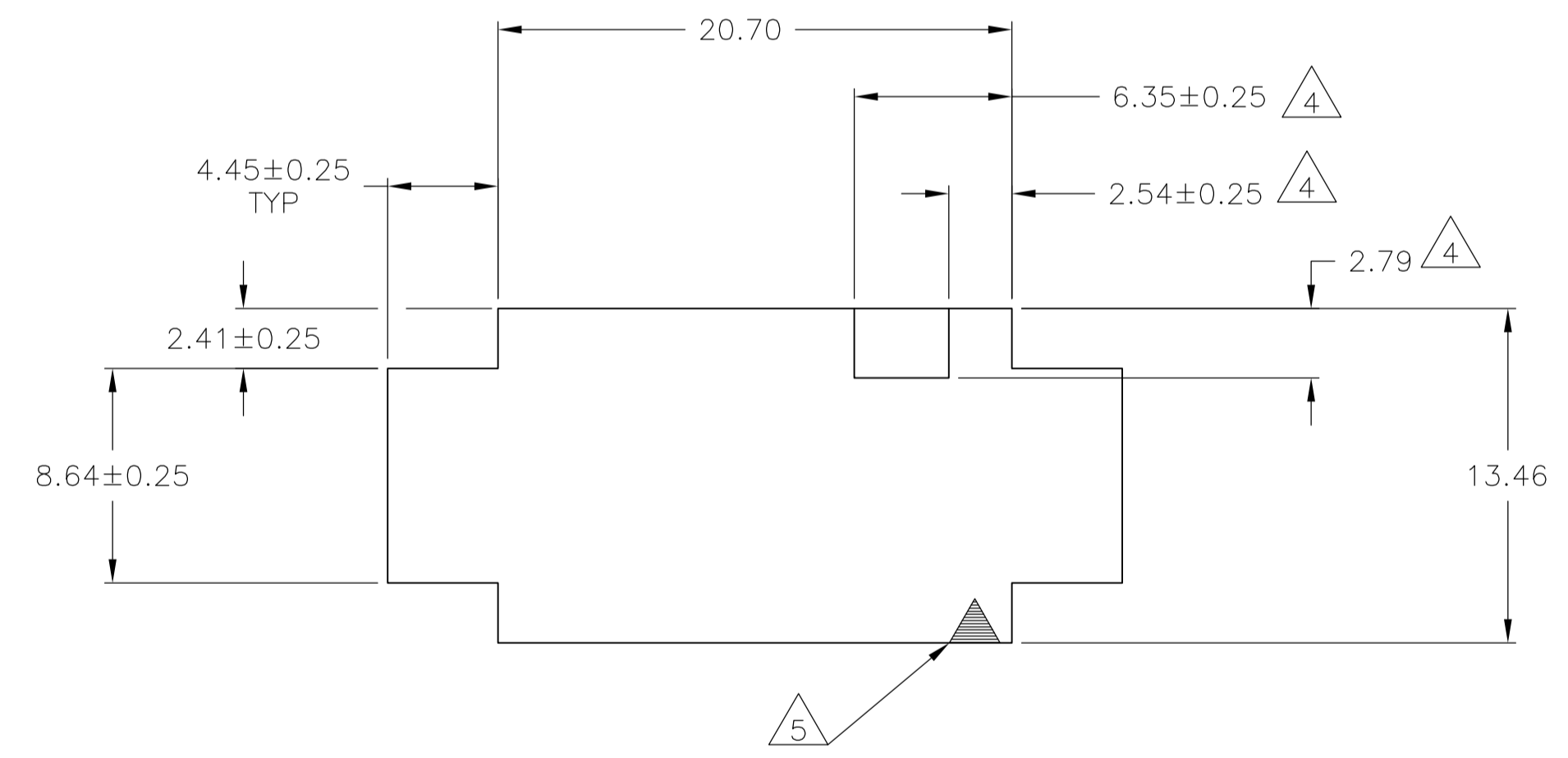
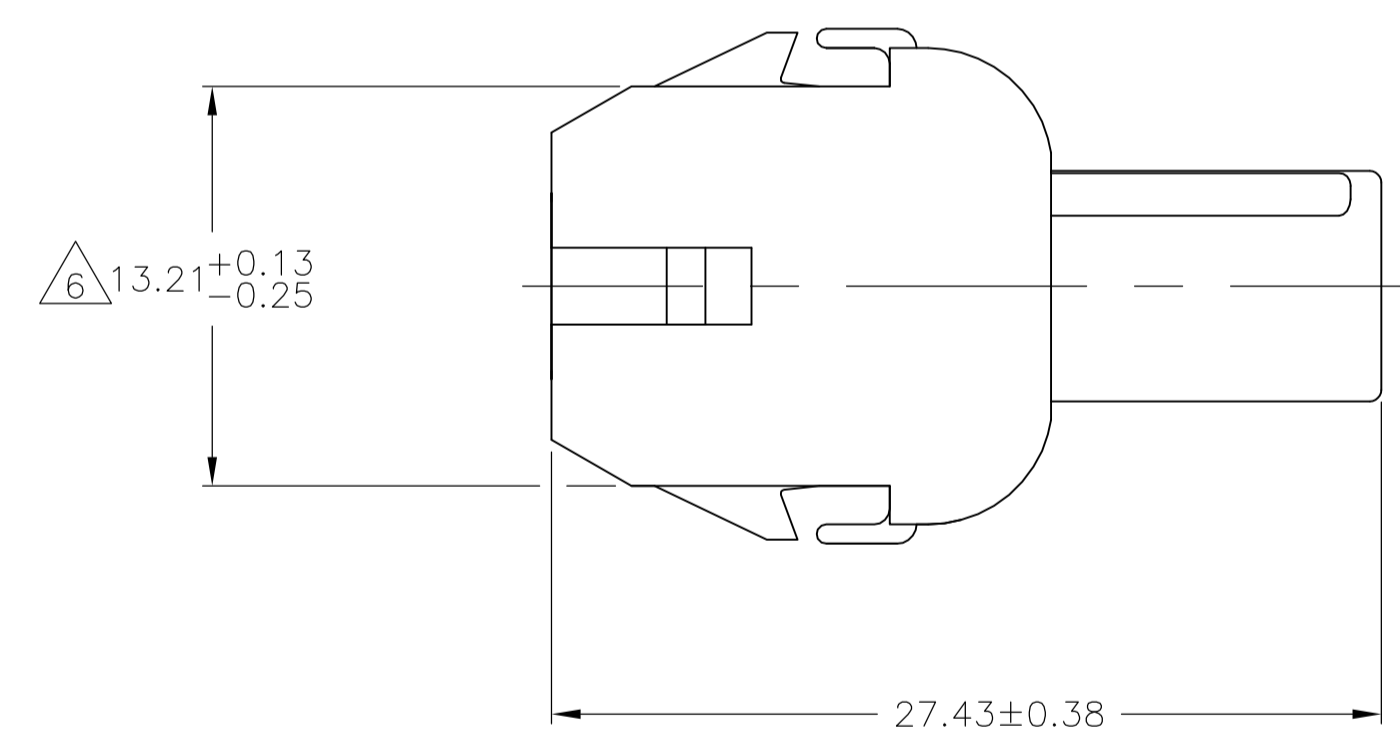
LOC		DIST		REVISIONS			
CM	00	REV	DESCRIPTION	DATE	BY	CHK	APPV
		AN2	REVISED PER ECO-11-004587	11MAR11	RK	HMR	
		AN3	REVISED PER ECR-14-002588	06MAR14	AV	KD	



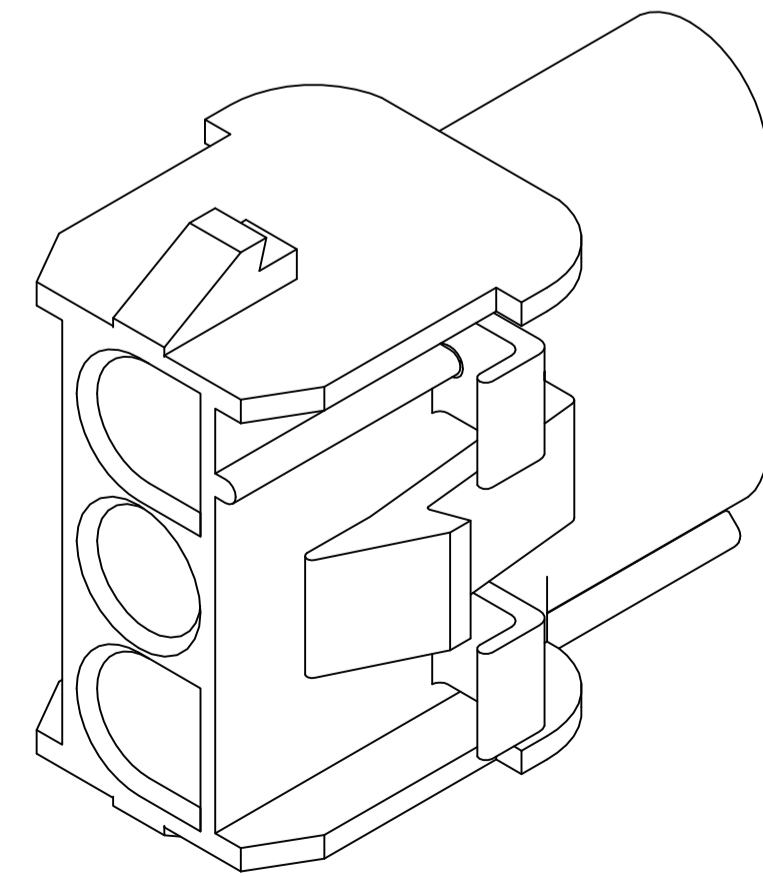
1. MATES WITH APPROPRIATE UNIVERSAL MATE-N-LOK™ PLUG.
2. RECOMMENDED PANEL THICKNESS 0.76 - 2.29.
3. PANEL MUST BE PUNCHED SO THAT THE HOUSING ENTERS THE PANEL IN THE SAME DIRECTION AS THE PUNCH.
4. OPTIONAL FOR KEYING HOUSING IN PANEL.
5. CIRCUIT NUMBER 1 LOCATION.
6. DIMENSION INDICATED IS AS MOLDED. ADDITIONAL GROWTH DUE TO SUBSEQUENT MOISTURE ABSORPTION MAY OCCUR.
7. FOUR RIBS EQUALLY SPACED, NO SPECIFIC ORIENTATION, NO RIBS OR SIX RIBS EQUALLY SPACED, NO SPECIFIC ORIENTATION, OPTIONAL.
8. UNDERWRITERS RECOGNIZED COMPONENT LOGO AND CSA CERTIFICATION LOGO TO BE LOCATED ONCE EACH ON SIDE OF HOUSING.
9. OBSOLETE PARTS: OBSOLETE CIS STREAMLINING PER D.RENAUD/D.SINISI



DETAIL A  
OPTIONAL CONSTRUCTIONS



RECOMMENDED PANEL CUT OUT



3-DIMENSIONAL MODEL  
NTS

MM	IN	MM	IN
4.45	.175	27.43	1.080
2.79	.110	20.70	.815
2.54	.100	20.32	.800
2.41	.095	13.46	.530
2.29	.090	13.21	.520
0.76	.030	8.64	.340
0.38	.015	8.13	.320
0.25	.010	7.62	.300
0.13	.005	6.35	.250
MM	IN	MM	IN

CONVERSION TABLE

BLACK	1-480701-9
GRAY	1-480701-8
BLUE	1-480701-6
GREEN	1-480701-5
YELLOW	1-480701-4
ORANGE	1-480701-3
RED	1-480701-2
BROWN	1-480701-1
NATURAL	1-480701-0
COLOR	PART NO.

**OB** OBSOLETE

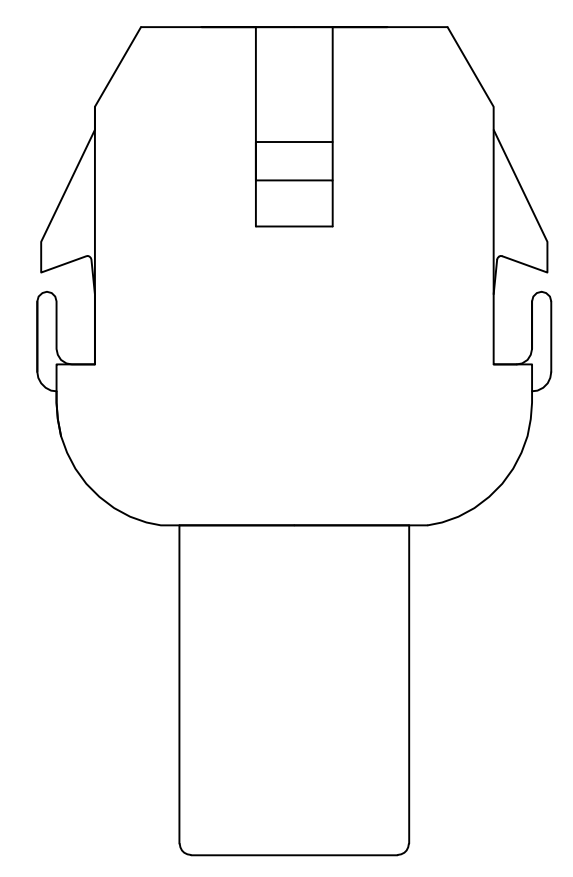
THIS DRAWING IS A CONTROLLED DOCUMENT.

DIMENSIONS:	TOLERANCES UNLESS OTHERWISE SPECIFIED:	DIN	K. WHITAKER	28JUL2004
mm	0. PLC ± -	CHK	S. RIDGILL	28JUL2004
	1. PLC ± 0.13	APVD	S. RIDGILL	28JUL2004
	2. PLC ± -	NAME	CAP, 3 CIRCUIT, UNIVERSAL MATE-N-LOK(TM)	
	3. PLC ± -	PRODUCT SPEC		
	4. PLC ± -	APPLICATION SPEC		
	ANGLES ± 0°30'	SIZE	A1	
MATERIAL	FINISH	WEIGHT	00779 480701	
NYLON, UL94V-2	-	CUSTOMER DRAWING	SCALE	4:1
		SHEET	1 OF 2	
		REV	AN3	

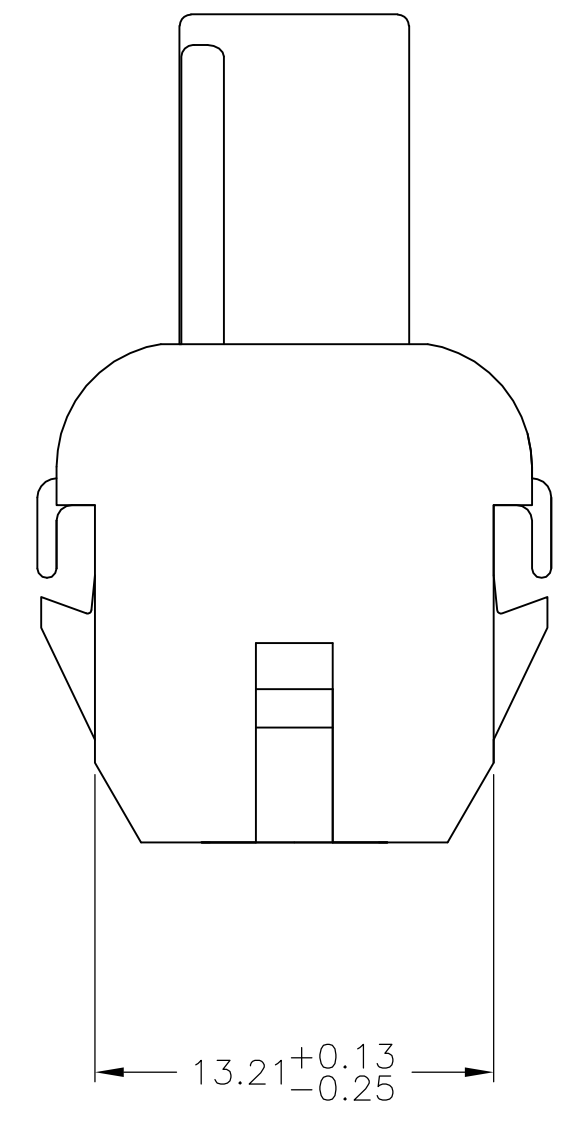
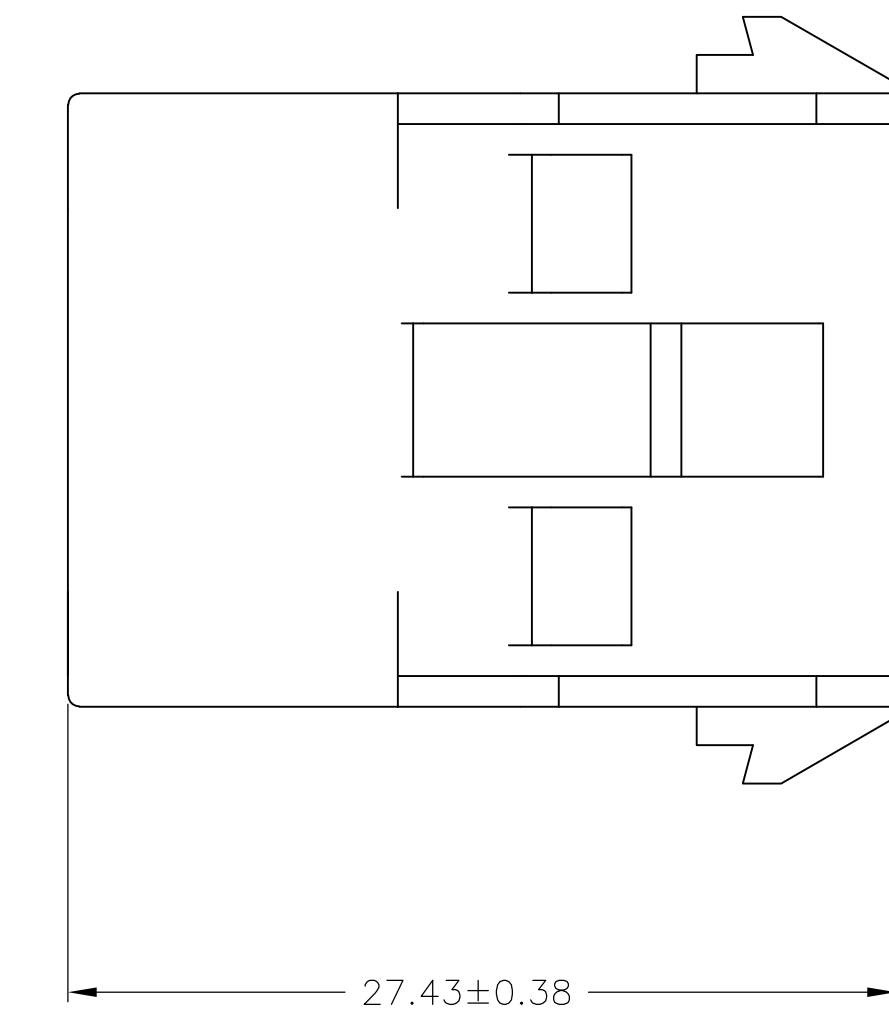
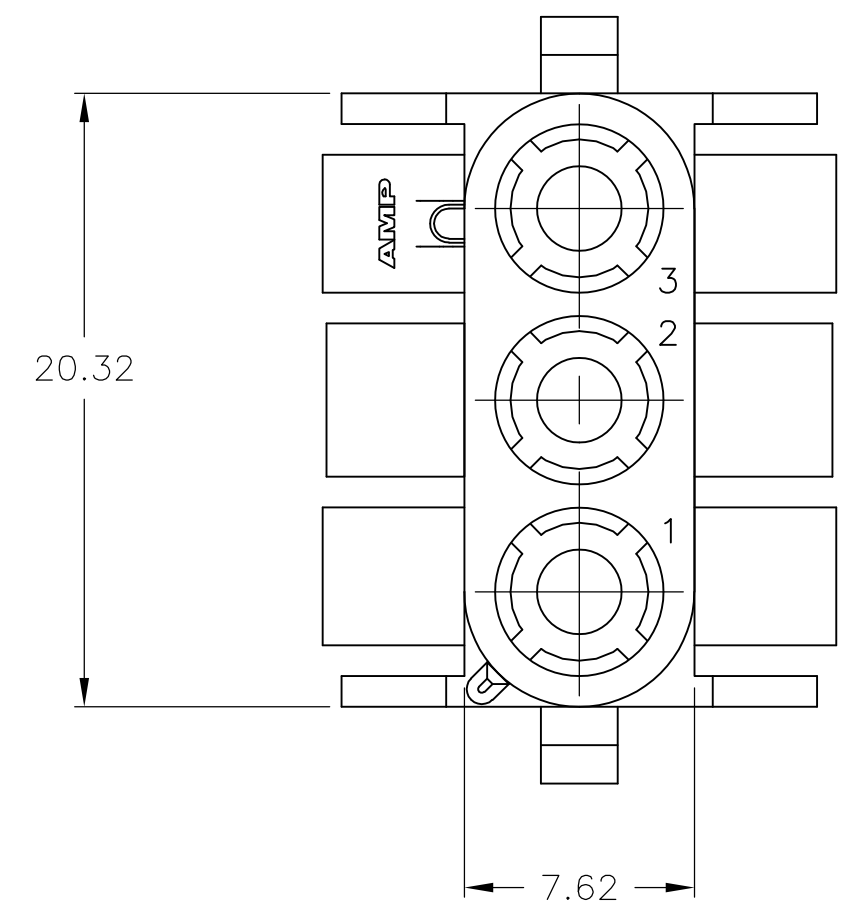
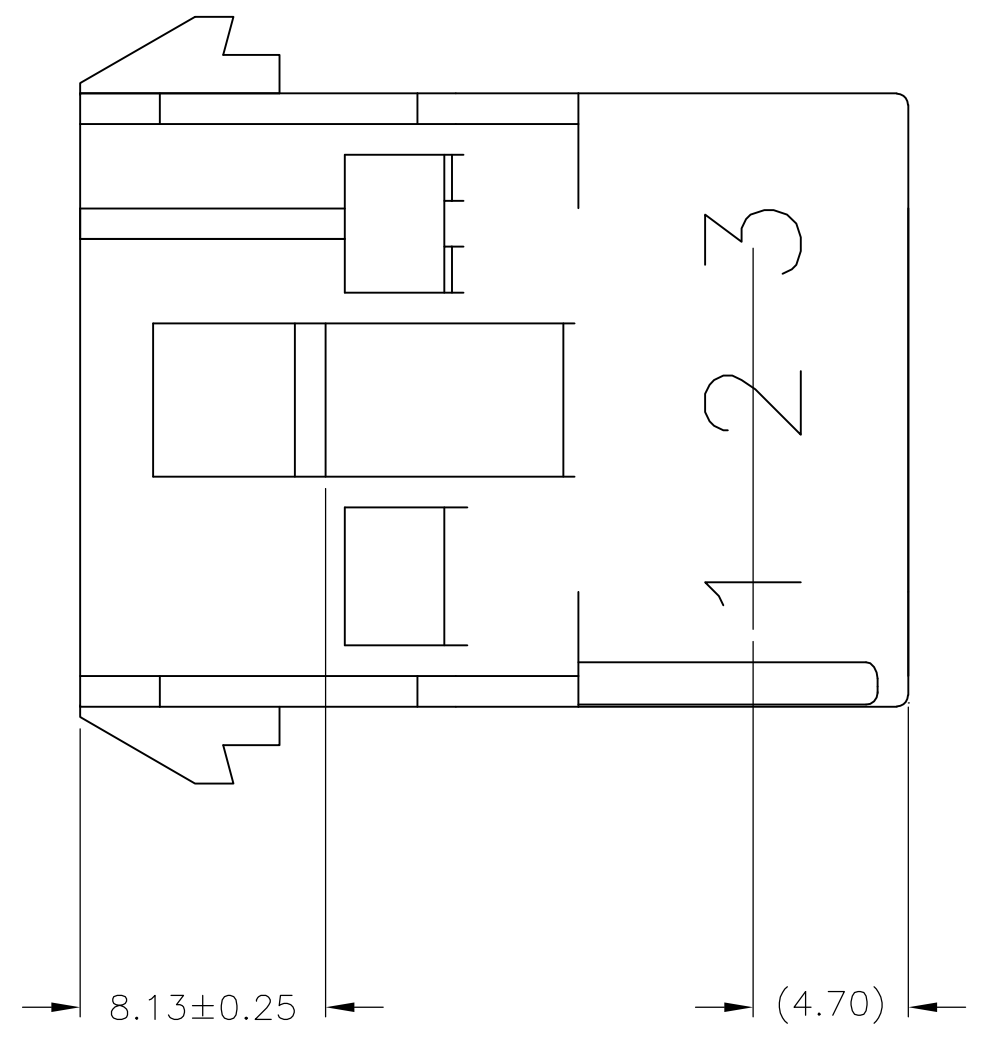
**STE** TE Connectivity



LOC	DIST	REVISIONS			
IF	LTR	DESCRIPTION	DATE	DRN	APPR
-	-	SEE SHEET 1	-	-	-



1. STAMP NUMBERS 3.18 HIGH AT WIRE END OF HOUSING (12 POINT DAVID TYPE).
2. CHARACTERS TO BE STAMPED ON HOUSING IN A MANNER AS TO BE READ FROM WIRE END ONLY.
3. VIOLET, BLACK, BROWN AND BLUE COLORED BLOCKS TO BE STAMPED WITH WHITE CHARACTERS. ALL OTHER COLORED BLOCKS TO BE STAMPED WITH BLACK CHARACTERS.



MM	IN	MM	IN
5.59	.220	-	-
4.70	.185	27.43	1.080
3.18	.125	20.32	.800
0.38	.015	13.21	.520
0.25	.010	8.13	.320
0.13	.005	7.62	.300

CONVERSION TABLE



THIS DRAWING IS A CONTROLLED DOCUMENT.

DW	K. WHITAKER	28/JUL/2004									
CHK	S. RIDGILL	28/JUL/2004									
APP'D	S. RIDGILL	28/JUL/2004	NAME CAP, 3 CIRCUIT, UNIVERSAL MATE-N-LOK(TM)								
PRODUCT SPEC											
APPLICATION SPEC			RESTRICTED TO								
MATERIAL	NYLON, UL94V-2		SIZE	A1	CAGE CODE	00779	DRAWING NO	480701	REV	AN2	
FINISH			WEIGHT	-	CUSTOMER DRAWING	SCALE	4:1	SHEET	2	OF	2